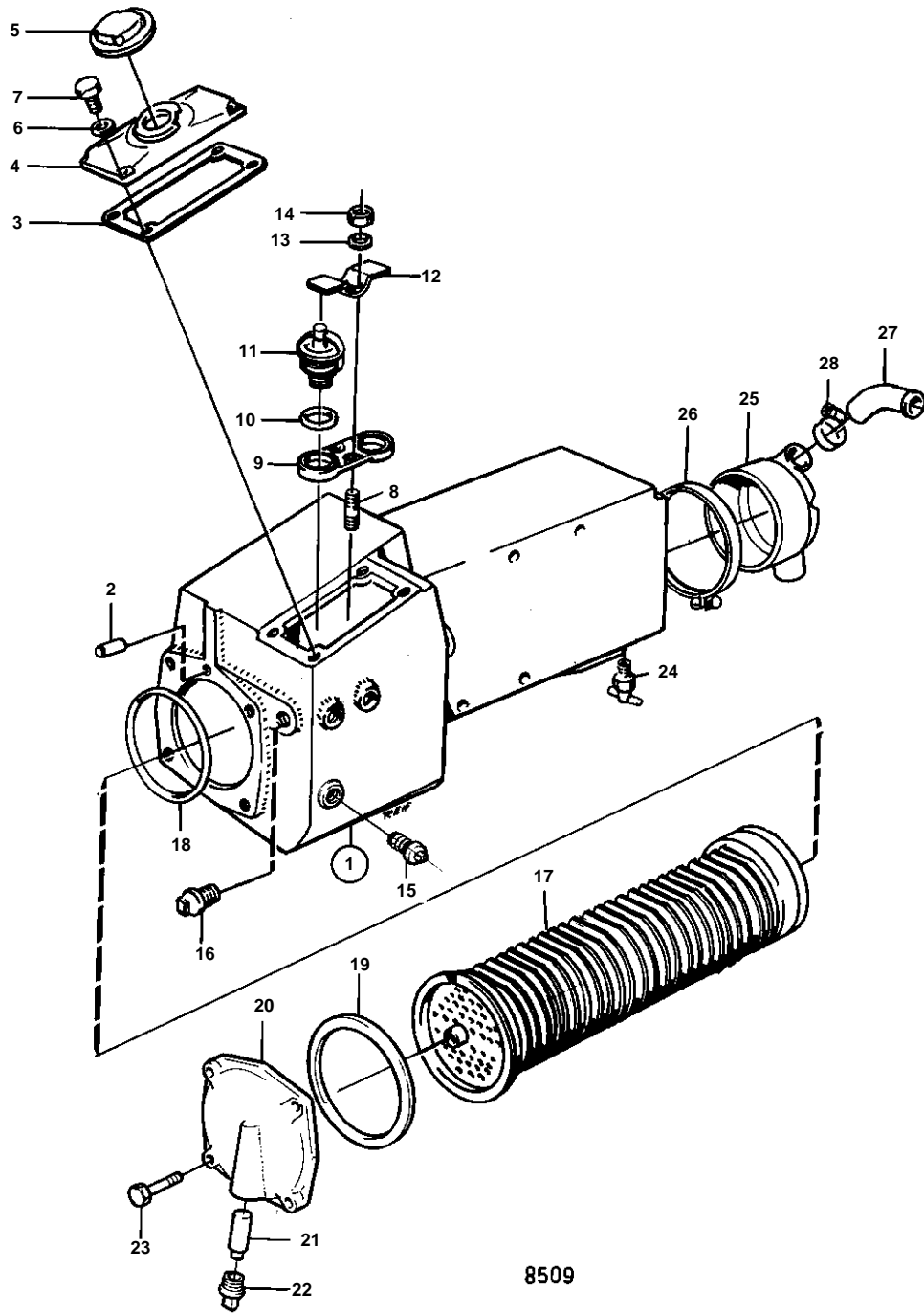


TMD40A



TMD40A

REF	PART NO.	QTY	DESCRIPTION	NOTES
1	844936	1	Heat exchanger housi	REPLACED BY HOUSING 838429+ZINK ELECTRODE 838929.
	838429	1	Heat exchanger housi	
2	951940	1	· Tensioning din	
3	845291	2	Gasket	
4	845284	1	Cover	
5	845879	1	Cover	
6	941907	4	Spring washer	
7	955295	4	Screw	
8	924060	2	Stud	
9	845285	1	Thermostat retainer	
10	416033	2	Sealing ring	IK
11	875788	1	Thermostat kit	70%Z9
	875787	1	Thermostat kit	76%Z9
12	845852	1	Shield	
13	941670	2	Washer	
14	946330	2	Nut	
15	952077	1	Plug	
16	952077	1	Plug	
17	845198	1	Insert	REPL BY 838590
	838590	1	Heat exchanger eleme	REPL BY 858833
	858833	1	Insert	
18	925096	1	O-ring	IK
19	845301	1	Gasket	IK
20	846240	1	End cover	
21	838929	1	Zinc anod	(804107)
22	838928	1	Plug	(800475)
23	940132	4	Screw	
24	947893	1	Drain cock	
25	845373	1	End plate	
26	961678	2	Hose clamp	
27	845374	1	Tube	
28	961669	1	Hose clamp	